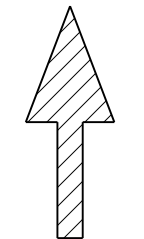
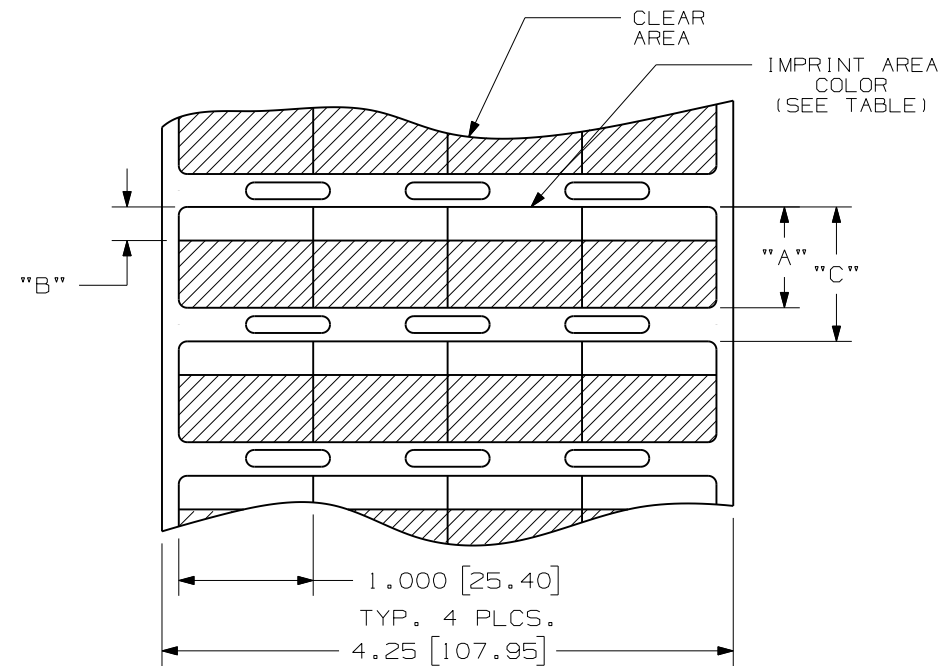


THIS COPY IS PROVIDED ON A RESTRICTED BASIS AND IS NOT TO BE USED IN ANY WAY DETRIMENTAL TO THE INTERESTS OF PANDUIT CORP.



PART NUMBER	"A" DIM	"B" IMPRINT AREA	COLOR- IMPRINT AREA	"C" VERTICAL AREA	LABELS PER ROW	STANDARD PKG. QTY.
S100X225VBTY	2.250 [57.2]	0.75 +/- .031 [19.0 +/- 0.79]	TIA BLUE	2.500 [63.5]	4	5,000
S100X225VCTY	2.250 [57.2]	0.75 +/- .031 [19.0 +/- 0.79]	TIA TAN	2.500 [63.5]	4	5,000
S100X225VDTY	2.250 [57.2]	0.75 +/- .031 [19.0 +/- 0.79]	TIA GREEN	2.500 [63.5]	4	5,000
S100X225VETY	2.250 [57.2]	0.75 +/- .031 [19.0 +/- 0.79]	TIA GRAY	2.500 [63.5]	4	5,000
S100X225VFTY	2.250 [57.2]	0.75 +/- .031 [19.0 +/- 0.79]	TIA ORANGE	2.500 [63.5]	4	5,000
S100X225VGTY	2.250 [57.2]	0.75 +/- .031 [19.0 +/- 0.79]	TIA PURPLE	2.500 [63.5]	4	5,000
S100X225VHTY	2.250 [57.2]	0.75 +/- .031 [19.0 +/- 0.79]	TIA PINK	2.500 [63.5]	4	5,000
S100X225VITY	2.250 [57.2]	0.75 +/- .031 [19.0 +/- 0.79]	TIA YELLOW	2.500 [63.5]	4	5,000
S100X225VOTY	2.250 [57.2]	0.75 +/- .031 [19.0 +/- 0.79]	TIA BLACK	2.500 [63.5]	4	5,000
S100X225V9TY	2.250 [57.2]	0.75 +/- .031 [19.0 +/- 0.79]	TIA GOLD	2.500 [63.5]	4	5,000
S100X150VBTY	1.500 [38.1]	0.50 +/- .031 [12.7 +/- 0.79]	TIA BLUE	1.800 [45.7]	4	5,000
S100X150VCTY	1.500 [38.1]	0.50 +/- .031 [12.7 +/- 0.79]	TIA TAN	1.800 [45.7]	4	5,000
S100X150VDTY	1.500 [38.1]	0.50 +/- .031 [12.7 +/- 0.79]	TIA GREEN	1.800 [45.7]	4	5,000
S100X150VETY	1.500 [38.1]	0.50 +/- .031 [12.7 +/- 0.79]	TIA GRAY	1.800 [45.7]	4	5,000
S100X150VFTY	1.500 [38.1]	0.50 +/- .031 [12.7 +/- 0.79]	TIA ORANGE	1.800 [45.7]	4	5,000
S100X150VGTY	1.500 [38.1]	0.50 +/- .031 [12.7 +/- 0.79]	TIA PURPLE	1.800 [45.7]	4	5,000
S100X150VHTY	1.500 [38.1]	0.50 +/- .031 [12.7 +/- 0.79]	TIA PINK	1.800 [45.7]	4	5,000
S100X150VITY	1.500 [38.1]	0.50 +/- .031 [12.7 +/- 0.79]	TIA YELLOW	1.800 [45.7]	4	5,000
S100X150VOTY	1.500 [38.1]	0.50 +/- .031 [12.7 +/- 0.79]	TIA BLACK	1.800 [45.7]	4	5,000
S100X150V9TY	1.500 [38.1]	0.50 +/- .031 [12.7 +/- 0.79]	TIA GOLD	1.800 [45.7]	4	5,000



NOTE:
 1. MILLIMETERS ARE IN [].
 2. SEE MFG. DRAWING NO. A61356.

REV	DATE	BY	CHK	DESCRIPTION	ECN	R	CUST	SUP
2	1/23/08	RVU		REMOVED "SEE MIF NO." FROM THE TABLE, ADDED "TIA COLOR" ON TABLE.	5268	R		
1	12/20/07	RVU		GMV16 WAS GMV54CLC.	5243	R		
0	9-11-06	RVU		RELEASED TO PRODUCTION.	4671	R		

CAD FILENAME/LAYERS
100472LS_C10404_S100XxxxVxxxY_01.PRT

PANDUIT CORP. TINLEY PARK, ILLINOIS

OPTIMUM SELF-LAM. CUSTOMER DRAWING
S100X150V**Y & S100X225V**Y
THERMAL TRANSFER PRINTABLE LABELS
WITH COLOR TINTED IMPRINT AREAS

UNLESS OTHERWISE SPECIFIED,
DIMENSIONAL TOLERANCES ARE:
(.X) ± .031 (.XXX) ± .005
(.XX) ± .015 ANGLES ±

UNLESS OTHERWISE SPECIFIED,
ALL DIMENSIONS ARE GIVEN IN
INCHES, THIRD ANGLE PROJECTION

SCALE: NTS

DRAWN BY: RVU
DATE: 3-30-06
CHK'D

MAT'L: GMV16

DRAWING NO. C10404
DWG SIZE B